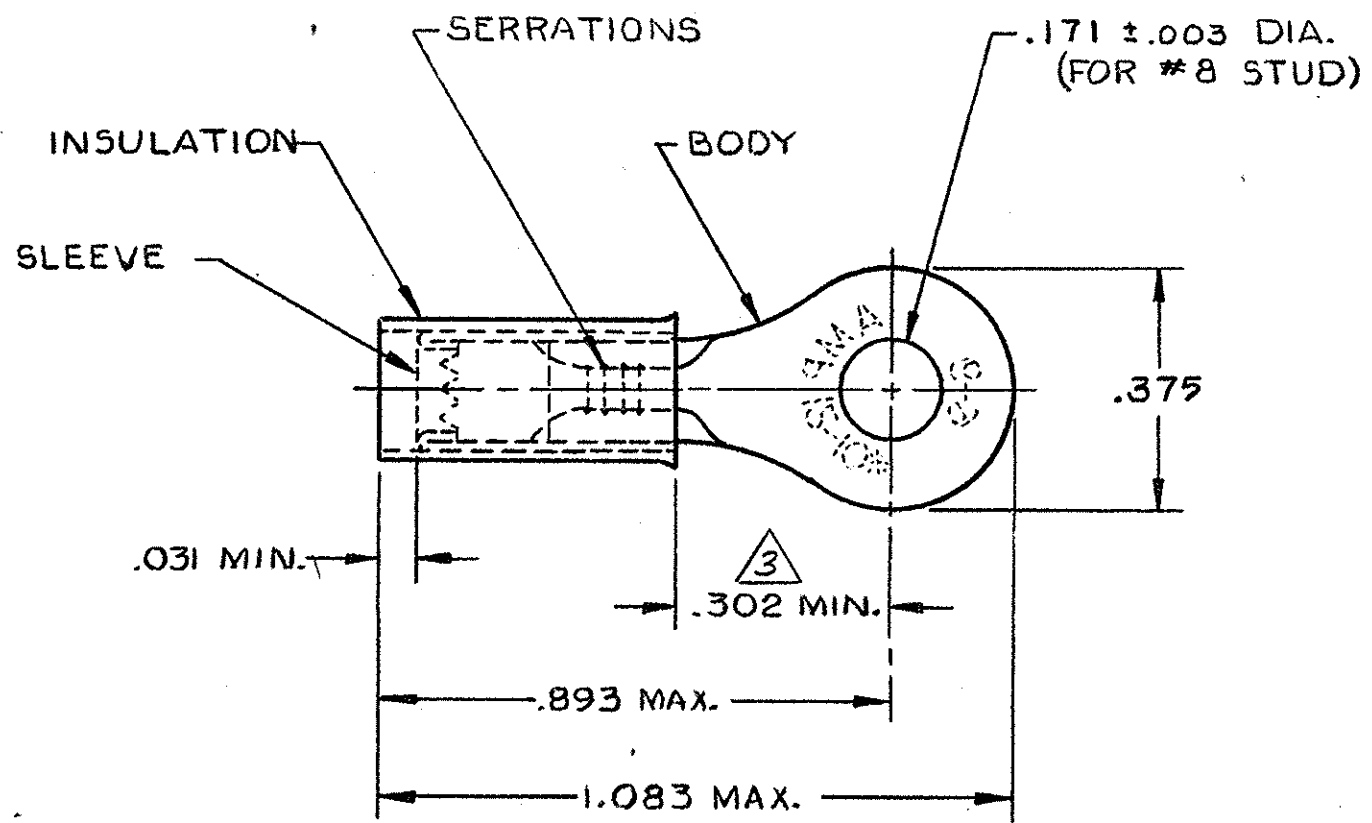


THIS DRAWING IS UNPUBLISHED. RELEASED FOR PUBLICATION, 19
 © COPYRIGHT 19 BY AMP INCORPORATED, HARRISBURG, PA. ALL INTERNATIONAL RIGHTS RESERVED. AMP PRODUCTS MAY BE COVERED BY U.S. AND FOREIGN PATENTS AND/OR PATENTS PENDING.

REVISIONS						
P	F	ZONE	LTR	DESCRIPTION	DATE	APPROVED
✓	✓		C	REDRAWN-REVISED PER G-1476, G-1175 & P85-0067.	12/16/85	Pjm
✓	✓		D	REV PER G-4732	JT 7/26/88	Pjf
✓	✓		E	ADDED NOTE 1 PER G-4773	9/13/88	msk/VG4
✓	✓		F	OBSOLETE 2--3 PER G-3699	JT 10/14/88	AG
			G	REV/0720-0036-93	TQ 3-4-93	ml
			H	REV/0L20-0100-97	ME 5-2-97	TM
			J	REV PER OG3A-0148-04	3/2/04	KR/TM



- △ 1 ALTERNATE PVC INSULATION MATERIAL FOR FOREIGN SUBSIDIARIES ONLY.
- △ 2 THIS IS NOT A U.S. MILITARY QUALIFIED PART
- △ 3 DIMENSION APPLIES FROM EDGE OF METAL WIRE BBL TO CENTER OF STUD HOLE.

WIRE INSULATION DIA. = .150 - .250
 TONGUE MATERIAL THK. = .040 ±.002
 TIN PLATE (MIL-T-10727)

OBSOLETE

△ 2	2500	ON TAPE, REEL	3-35108-2
△ 2	500	LOOSE PIECE	3-35108-1
△ 2	100	LOOSE PC, BOX	8-35108-1
△ 2	500	ON TAPE, LG. BOX	2-35108-3
MS25036-156 CLASS 2	2500	ON TAPE, REEL	2-35108-1
MS25036-156 CLASS 1 & 2	500	LOOSE PIECE	35108
MILITARY PART NO. & CLASS	QTY.	DESCRIPTION	PART NO

UNLESS OTHERWISE SPECIFIED DIMENSIONS ARE IN INCHES. TOLERANCES ON: DECIMALS ±.008 ANGLES ± 5°	CONTRACT NO		AMP AMP INCORPORATED Harrisburg, Pa.	
	DR UTA/RFB 9-24-85			
	MATERIAL INSULATION: NYLON-YELLOW BODY & SLEEVE: COPPER (QG-C-576)		NAME	
	FINISH BODY: SEE NOTE		WIRE TERMINAL P.I.D.G. RING TONGUE WIRE SIZE: 12-10	
APPD P. Muty 12.16.85 APPD G. H. 12.16.81		SIZE	FSCM NO	DRAWING NO
OTHER APPD		B	00779	35108
		SCALE	NTS	SHEET 1 OF 1